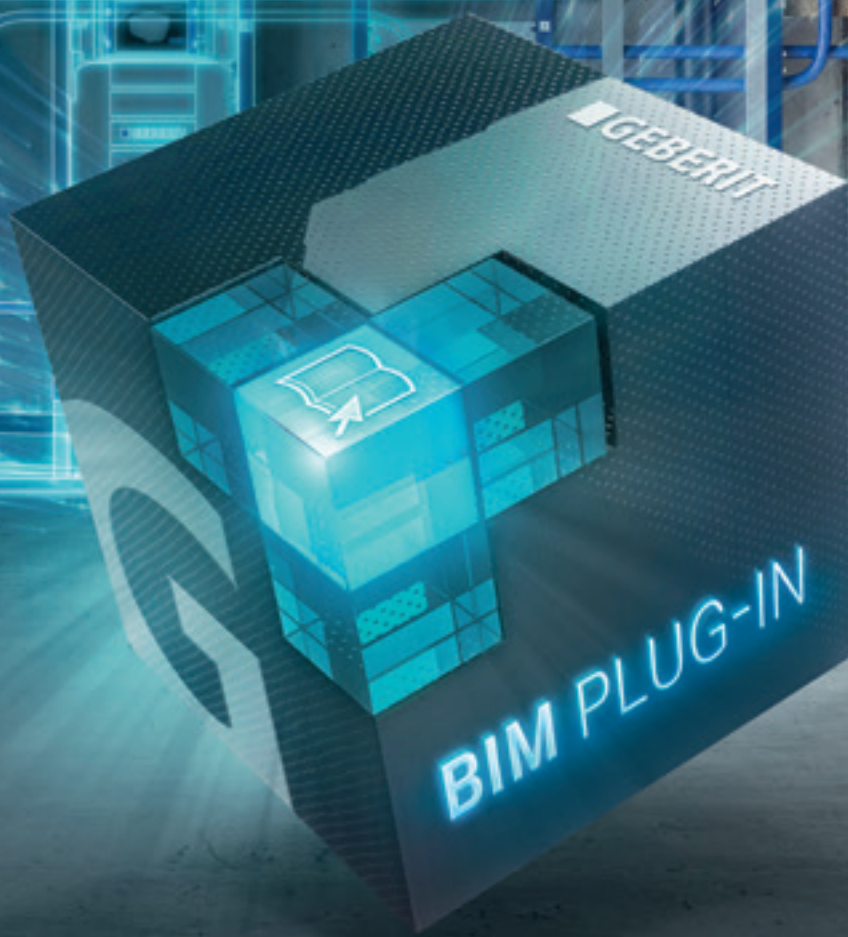


NEW

■ GEBERIT

GEBERIT BIM PLUG-IN

# PLUG-IN AND PLAN



**KNOW  
HOW**  
INSTALLED

# INTEGRATED SOLUTION IT'S **ALL IN**

Digital planning and construction using the BIM method has brought about fundamental changes in the construction industry. The holistic and model-based approach means that planning and construction processes can also be optimised and accelerated within the sanitary industry. Geberit's aim is to create simple and innovative solutions that offer sanitary engineers, architects and contractors added safety and greater cost-effectiveness. And with the new Geberit BIM Plug-in for Autodesk Revit®, another important step has been taken in the right direction.

#### A SINGLE PLUG-IN FOR ALL TOOLS

It's never been so easy: The new Geberit BIM Plug-in for Autodesk Revit® is an integrated tool that brings together all previous Geberit planning and calculation tools for Autodesk Revit® in a single integrated application.

#### LIGHTWEIGHT AND HANDY BIM OBJECTS

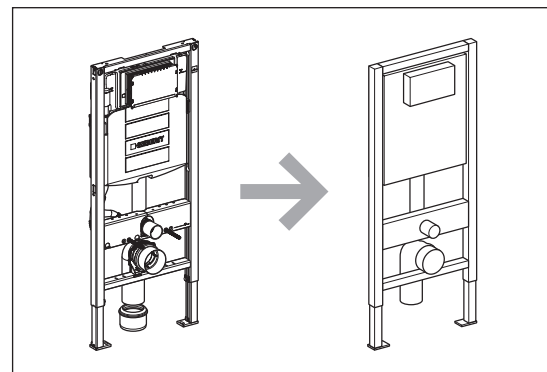
Geberit relies on highly simplified, parametric geometries with all the metadata that is relevant for planning in the background. This avoids overloading CAD systems from the outset and allows for efficient planning. Despite their highly simplified geometry, Geberit BIM objects meet the requirements of all planning and construction phases, right through to facility management.

#### STRAIGHTFORWARD SANITARY PLANNING

Finding up-to-date, complete and valid BIM content that is easy to manage is often a challenge in itself. The Geberit BIM Plug-in offers a reliable, integrated solution that meets all the needs for a straightforward and correct planning process.

#### AS CURRENT AS IT GETS

The direct connection to the Geberit product information management (PIM) system ensures that the user only uploads tested and approved BIM objects. This prevents the opportunity for planning errors caused by faulty or invalid BIM content.



Complex static data becomes simple parametric models.

#### GEBERIT BIM PLUG-IN FOR AUTODESK REVIT®

The plug-in is available to download free of charge. **Here's how it works:**

1. Download the plug-in on the Geberit website: [www.geberit.com.au/BIM](http://www.geberit.com.au/BIM)
2. Log in and install the plug-in



#### CATALOGUE MODULE

Quick and direct access to all Geberit BIM content. The Catalogue module includes a whole host of product groups spanning piping systems, installation systems, and now also ceramic products and bathroom furniture.



#### INSTALLATION SYSTEMS MODULE

Simple design of the installation systems with a complete material list. The module saves the need for parallel planning in another software to facilitate the planning process.



#### WIZARD MODULE

Practical functions for planning supply networks and pipe runs facilitate prefabrication significantly by enabling accelerated and cost-optimised prefabrication planning processes. What's more, it is now possible to search for products using Geberit article numbers.



#### PLUVIA MODULE

For calculating the hydraulic certification and dimensioning for roof drainage with Geberit Pluvia directly in Autodesk Revit®.



PLANNING MADE EASY

# FROM SHELL TO FINISHED BATHROOM

The entire Geberit product universe complete with all its calculation options is now available in a single central tool – for integrated planning from the piping system through to the final bathroom fittings.

## IN FRONT OF AND BEHIND THE WALL

Everything that belongs together now stays together in the planning phase. It doesn't matter whether the chosen bathroom design determines the installations required or whether the bathroom is equipped based on MEP specifications, any planning errors or changes are indicated at an early stage.

## PLANNING GEBERIT DUOFIX

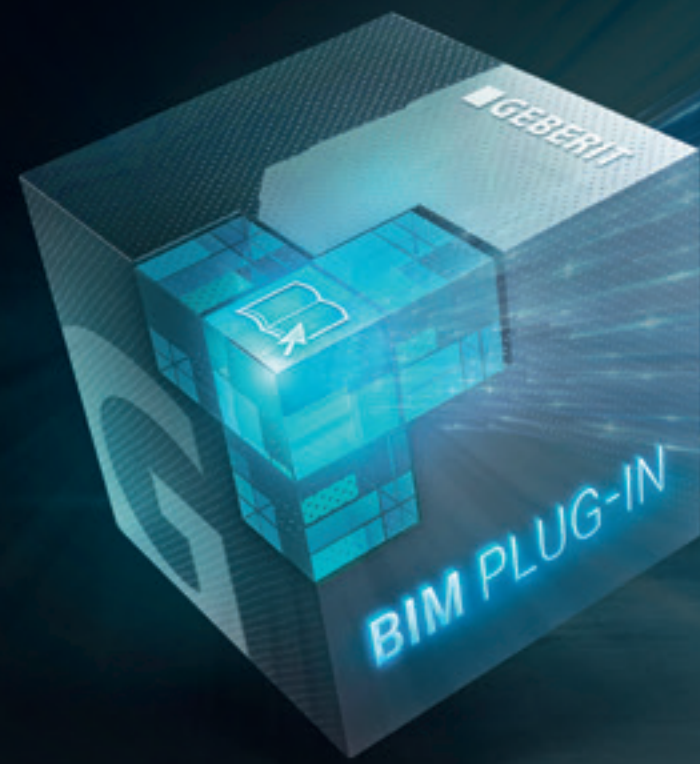
Parametric BIM content for Geberit installation systems offers a wide range of added value for planners. It takes a whole host of factors into account, including the height adjustability, angle adjustment and depth of the connection bend, as well as the adjustable installation depth of the installation element.

## BIM MODELS FOR ARCHICAD®

The models in the ceramic ranges are depicted in both the right shape and the right colour. To take an example, the Geberit Revit models in the ceramic series are also helpful for architects, as native Revit® models can also be read into the new ArchiCAD 24 version.

## CONSTANT EXPANSION

When it comes to functionality and range, the Geberit BIM Plug-in is a comprehensive planning and calculation tool that is available to users free of charge. The integration of ceramic products facilitates a holistic approach from architecture to MEP planning and interior design.





LEAN WORKFLOW

# NO MORE **BACKWARDS** **AND FORWARDS**

Work is so much easier with the Geberit BIM Plug-in, which steps in at just the right moment to do some of the thinking for you. No annoying workarounds, no time wasted searching, and significantly fewer sources of error.

## **FIND THINGS IN NO TIME WITH THE ARTICLE NUMBER**

Not sure quite where to look in the Geberit product structure? No problem! Just like the online catalogue, the Geberit BIM Plug-in offers a search function by article number. All you have to do is enter at least three digits and the tool searches the database for possible hits. Of course, the more digits you enter, the faster you will find the product you are looking for.

## **FLEXIBLE PLANNING OF INSTALLATION SYSTEMS**

The Installation Systems module allows you to design and calculate pre-wall installations automatically without the need for further tools. The results include not only construction drawings, but also exact cutting and material lists.

## **INTEGRATED ROOF DRAINAGE**

The Pluvia module facilitates optimal hydraulic dimensioning of Geberit Pluvia roof drainages. The current regulations and standards are stored in the plug-in, and there is no need to jump back and forth between different software solutions.

## **AUTOMATIC ARTICLE NUMBER FOR PIPELINES**

The Autodesk Revit® system pipes do not have any article numbers. With the help of the numbering wizard, the Geberit article numbers can be written directly on the system pipes. This not only saves time spent looking things up, but also prevents the errors associated with manual entries. Even for ongoing or older projects, a model-based tender can be generated very easily.





FLEXIBLE INSTALLATION

# READY? **DONE!**

Sanitary planning with the Geberit BIM Plug-in offers a whole host of advantages for efficient, model-based prefabrication. Well-thought-out functions facilitate efficient, model-based prefabrication with the greatest possible freedom when it comes to the arrangement of the components to be prefabricated. In this way, the Geberit BIM Plug-in enables cost-optimised MEP planning and increases economic efficiency in the process.

#### **PERFECT PIPE LENGTH WITH THE Z-DIMENSION**

When modelling the BIM objects, waste water prefabrication requirements have already been taken into account. As a result, all of the fittings are equipped with the article-specific Z-dimensions. This means that the pipelines to be connected are automatically shortened to the correct length for the prefabrication.

#### **AUTOMATIC SEGMENTATION**

With the segmenting length wizard, the Geberit BIM Plug-in subdivides the drawn pipe runs into the deliverable lengths of the pipes and inserts the correct fittings at the connection points.

#### **FREELY SELECTABLE DESIGNATION OF PIPE RUNS**

The numbering wizard can be used to sequence and number components and individual sections of a complete supply network. This allows the operator to retain full control over the number assignment thanks to freely selectable logic. As a result, it is possible to precisely define in the model which components of the supply network are to be prefabricated an essential prerequisite for efficient prefabrication.

#### **STRAIGHTFORWARD OVERVIEW**

A list of pipelines and fittings sorted by item number can be exported from Autodesk Revit®. This means that pre-cut pipe sections can be easily labelled to ensure quick assignment and identification during the mounting process, making it much easier to bring together prefabricated, numbered segments or pipe sections on the building site.



**Geberit Pty Ltd.**

Unit 1, 13 Boundary Road Northmead NSW 2152 Australia

T: +61 2 9889 7866 F: +61 2 9889 7855

[bim.support.au@geberit.com](mailto:bim.support.au@geberit.com)

[www.geberit.com.au](http://www.geberit.com.au)